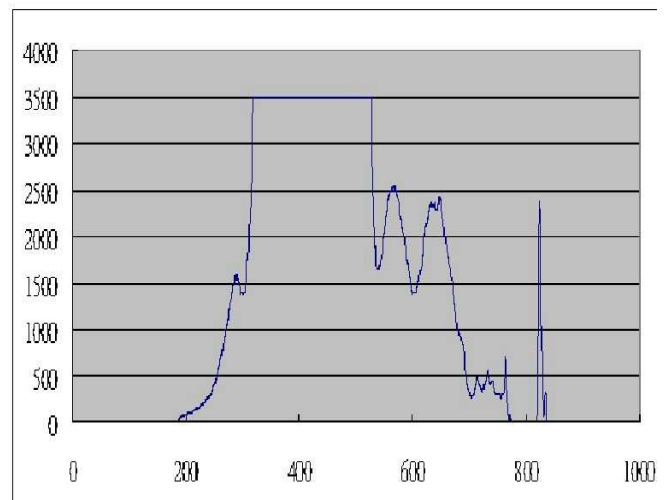
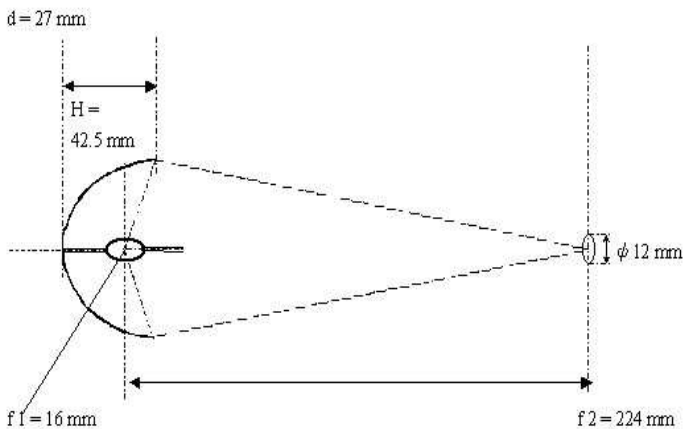


# **Labguide**<sup>®</sup> MERCURY / XENON Light Sources

## Model: Hg-200 /Xe-150 specification

- Lamp Type : Mercury arc bulb lamp
- Lamp Power : 1000, 500, 350 & 150 watts
- Lamp Color Temperature : 6000 degrees K
- Lamp Life : 500 hours minimum
- Input Line Frequency : 50/60Hz + / - 5%
- Input Line Voltage : 115V + / - 10%
- Circuit Breaker 115V Unit : Slow Blow 5 amps,
- Adjustable power nob
- Cold reflector incident angle  $\alpha = 13$  degree
- Ra 衍色性: 98
- Starting voltage: 23 KV
- Two focus: F1: 16 mm; F2: 224 mm      Weight : roughly 5 kg
- Dimensions (high×wide×deep) : 160mm × 205mm × 305mm
- Humidity : 30% to 85% ( Relative )
- Optional: 5A amperage display
- Optional: focus lens kit
- Optional: absolute spectral radiometer 2048 CCD spectrometer
- Optional: selective wavelength monochromator 200-800nm or 500-1200 or 750-1700nm  
850-2200 nm



雲陽科技有限公司  
Labguide Co., Ltd.

台北縣中和市華新街 232 巷 37 號 3 樓  
23569 No. 37, 3F, Lane 232, Hua-Shin  
Street, Chung-Ho, Taipei County, Taiwan, R. O. C.  
TEL : 886-2-29406162 FAX : 886-2-29482685  
E-Mail : Labguide@seed.net.tw